



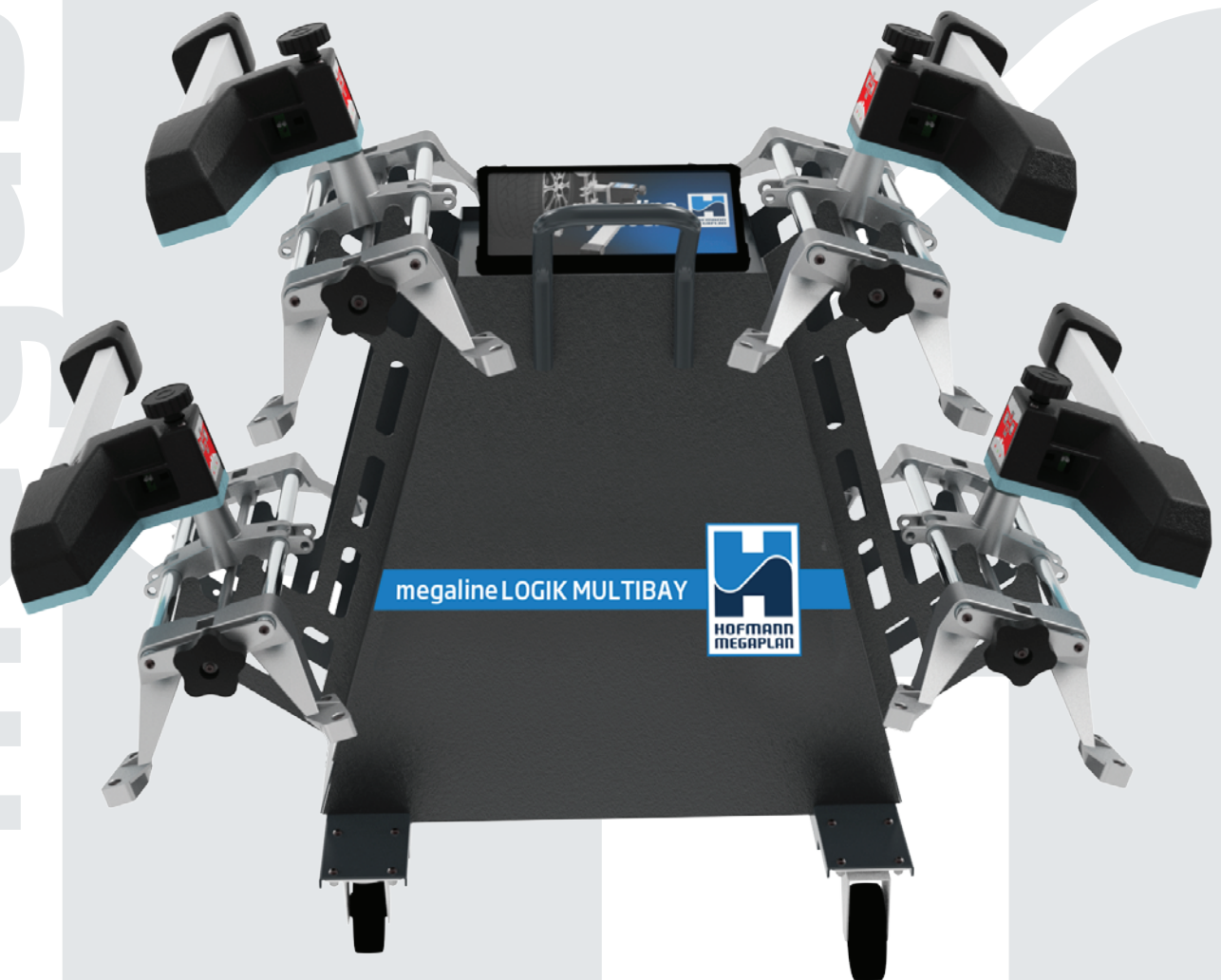
# megaline LOGIK MULTIBAY

MOBILE  
CCD WHEEL  
ALIGNMENT FOR  
CARS AND  
LIGHT TRUCKS



*The wide range of wheel aligners provided by Hofmann Megaplan represents an effective solution for measuring the alignment of cars and heavy vehicles. Hofmann Megaplan wheel alignment systems are highly technological and quickly generate extremely accurate and reliable results.*

megaline



# megaline LOGIK MULTIBAY

MOBILE CCD  
WHEEL ALIGNMENT  
FOR CARS AND LIGHT TRUCKS



✓  
**ACCURATE  
MEASUREMENTS**

## Accurate measurements

CCD (Charged Coupled Device) sensor technology enables a quick and accurate measurement of all alignment parameters for cars and light trucks. Sensors mount lithium batteries, featuring a long durability when charged, which are immune to the memory effect and can be recharged at any time. The MEMS accelerometer (Micro Electro-Mechanical System), together with the CCD cameras, enables the acquisition of the alignment parameters of wheels and it measures the sensor inclination according to the two main axes (caster and camber). The sensors are mounted on 4-point clamps for wheels from 12" to 24" (up to 30" if fitted with special optional extensions).



➔  
**TOUGH  
PAD**

## Toughpad

The software is comfortably managed by a toughpad with 10" touch screen and an extremely robust, waterproof and dust-proof structure with a rubberised shatterproof cover. The toughpad supports the Windows 10 operating system and Wi-Fi connection, thus ensuring optimal ease of use even during operation under the vehicle.



↻  
**MOBILE**

## Mobile structure

The mobile structure with pivoting rubber wheels with 100 mm diameter allows smooth movement on any type of flooring. The cabinet is easily transportable and allows to work comfortably even on board the vehicle. The supports mounted on the cabinet hold clamps and sensors and act as a recharge point for the latter.

## Updated database

The database, updated every four months, contains more than 55,000 models with related specifications. Software and database updates automatically take place via internet connection.

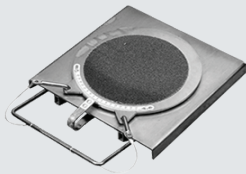


## Diagnosis report

The diagnosis page shows the measurements made on the vehicle alongside the specifications provided by the database, highlighting in red the measurements that are outside the specification limits and which will need to be adjusted. The Audit function provides a diagnosis of possible driving disorders resulting from measurements outside specification limits.



## Optional accessories



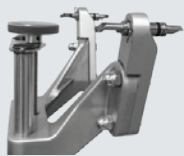
### TURNPLATES FOR CARS

Two turnplates for car.



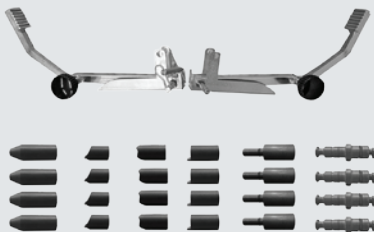
### PREMIUM TURNPLATES

Two premium turnplates for cars complete with paddles.



### 4-POINT CLAMP EXTENSIONS

Set of 16 extensions for rims up to 30".



### CLAMPING ARMS KIT

Clamp supporting arms and set of tips for tyres with 22" - 31" external diameter.



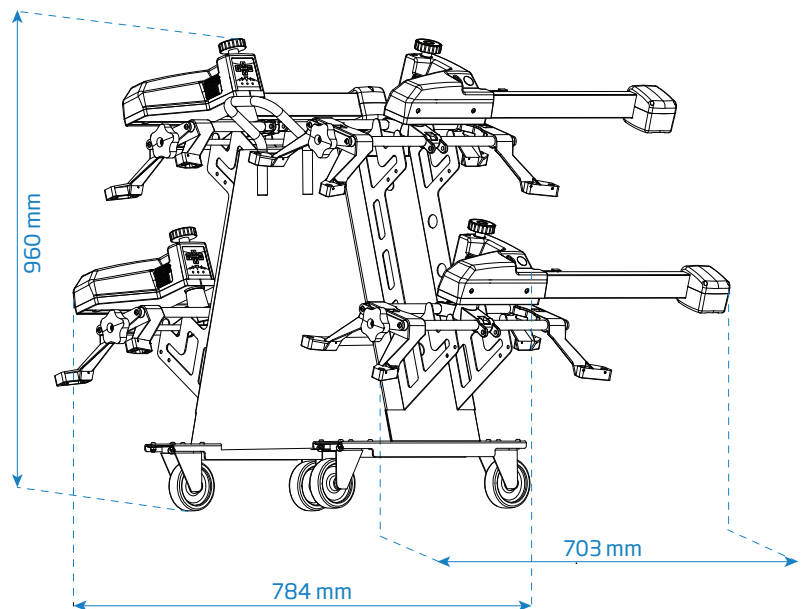
### GRIPS FOR STEEL RIMS

Set of 4 metal grips for clamping on steel rims from the inside (also usable as adapters for other tips and grips).

## Standard accessories



Wheeled cabinet, toughpad with 10" touch screen, four 4-point clamps (12"-24") with universal grips and CCD sensors, brake pedal lock, steering lock, software and database for car, 48 mm and 80 mm metallic grip set.



## Technical data

Power supply	230 VAC - 1-phase - 50/60 Hz
	115 VAC - 1-phase
Net weight	130 kg
Packing dimensions	113 x 113 x 113



**HOFMANN MEGAPLAN GmbH**  
Hüttenstrasse 7 - 67550 Worms - Germany  
T +49 (0)6242 913 6666 - hm-mail@hofmann-megaplan.com  
[www.hofmann-megaplan.com](http://www.hofmann-megaplan.com)