



# megamount 70F / 70

AUTOMATIC  
TYRE CHANGER  
WITH LOCKING  
CAPACITY  
UP TO 27" AND  
MOTOINVERTER

**HPX**  
ADVANCE

UP TO  
27"

**BEAD**  
BREAKER  
UP TO 17"



megamount 70F

**MOTO**  
INVERTER

**PEDAL**



*Latest generation of Hofmann Megaplan Tyre Changers, designed and manufactured in Italy allows the operator to work easily on all types of wheel. With an emphasis on build quality and ergonomics, key features such as intelligently designed turntable, removeable pedal box, and super-duty fully-automatic operation can be enjoyed as standard across all models.*

megamount



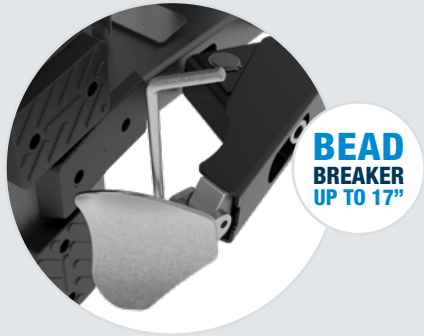
Reinforced base vertical post structure and 60x60 mm horizontal arm grant maximum rigidity. Simultaneous vertical and horizontal arm locking system, vertical arm with spring return.

megamount 70



## Locking capacity up to 27"

The heavy-duty (14mm) turntable has a locking capacity from 10" to 27" and utilises a direct clamping system, operated by 80 mm diameter cylinders, ensuring optimal clamping on all types of rim. The shape of the turnplate is designed so as to ease the bead-breaking of the second bead.



## Bead breaker up to 17"

Ergonomic bead breaker with adjustable arm system which enables to operate on large wheels up to 17" width.

## Motoinverter

Motor controlled by Motoinverter system with progressive variation of speed from 0 to 16 rpm. The inverter board is installed on the machine, away from the engine to overcome vibration and heat problems. Low power consumption at rest with the intelligent stand-by. High reliability and protection, with automatic alarm reset bringing the pedal to the resting position (no power outages required).



## Pedal operated inflating device

Pedal-operated inflating system, manometer and CE-certified inflation pressure limiter.



## HELPING DEVICE SYSTEMS

To make the *Megamount 70* even more functional, it is possible to choose the configuration of the following arms according to the real needs. *Megamount 70F* is equipped with the HPX-ADVANCE + HELPER ARM assist systems as standard.



HPX-ADVANCE

HPX-STD

HPX-FA

HELPER ARM

## Standard accessories



Bead lever

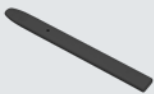


Front head protection (x2)



Rear head protection (x2)

## Optional accessories



Plastic lever protection



Bead breaker blade protection



4 jaws ALU protection kit



Wheel lift



Roller board



Tubeless inflation system



Run Flat clamp



Jaws for motorcycle wheels 14" ÷ 24"



Jaws for scooter wheels 8" ÷ 14"

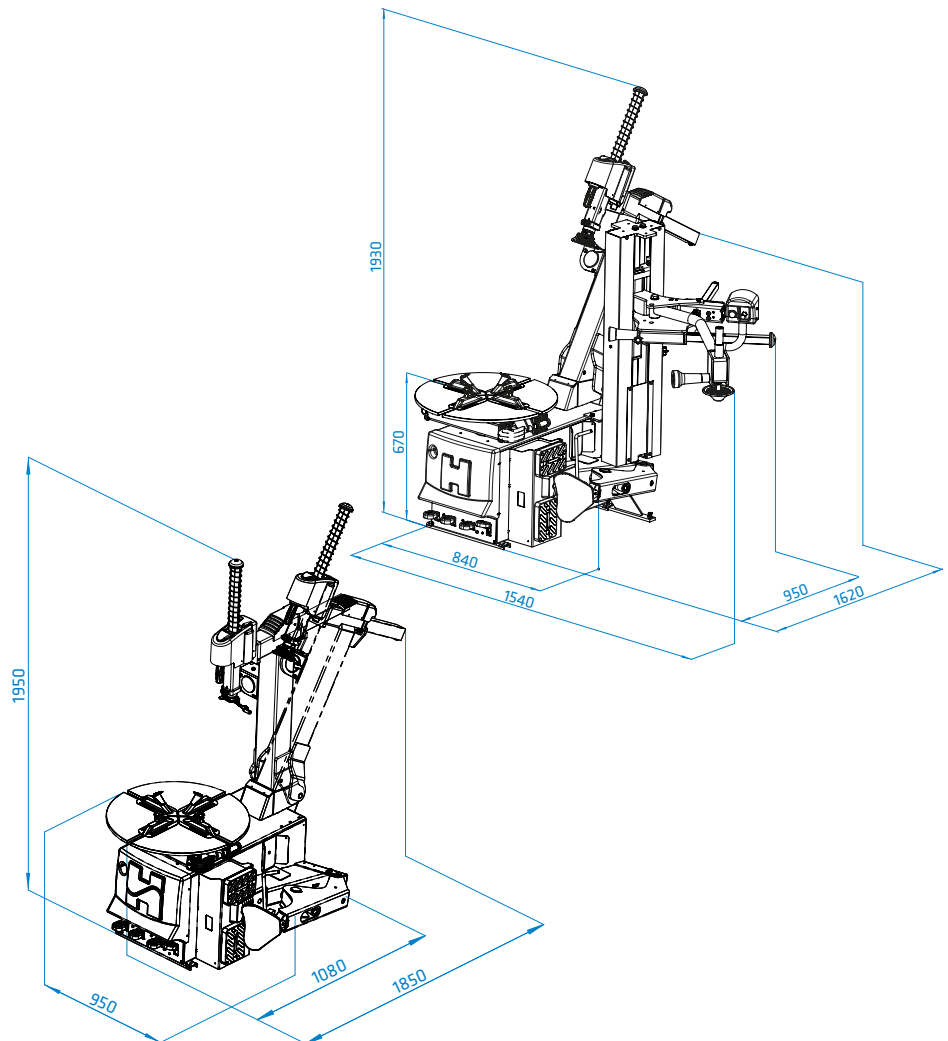
## Versions on request

**TI Version:** with an effective inflation device for bead seating integrated in clamping jaws

**A Version:** with pneumatic positioning of tool arm

**3-Phase motor version:** 0.75 kW 400 V 50/60 Hz (2 speed) - 8-16 rpm

**Single speed version:** 110V/60Hz/1ph



## Technical Data

Clamping capacity	10" ÷ 27" (min ÷ max)
Internal clamping	12" - 27"
External clamping	10" - 24"
Max wheel diameter	1170 mm (46")
Max wheel width	400 mm (16")
Bead breaker force	15000 N
1-Phase motor	1.5 kW (Inverter) 230V 50-60Hz
Turntable speed	0 - 16 rpm (1ph - Inverter)
Operating pressure	8 - 10 bar (116 - 145 psi)
Noise level	< 70 ± 3 dB (A)
Net weight	270 kg



**HOFMANN MEGAPLAN GmbH**  
 Hüttenstrasse 7 - 67550 Worms - Germany  
 T +49 (0)6242 913 6666 - hm-mail@hofmann-megaplan.com  
[www.hofmann-megaplan.com](http://www.hofmann-megaplan.com)