

megamount Spacy



Automatic tyre changer with space saving, side swing tool

That is self-evident for us:

- Up and down movement of mounting head by spring
- Rim clamping inside 12-26 inches, outside 10-24 inches
- Maximum rim width 16 inches
- Maximum tyre diameter 1000 mm
- Filter with pressure regulator and manometer for 10 bar working pressure
- Inflating pressure limiting device 3,5 bar (CE)

The competition might not have this:

- QUADRACLAMP – 4 cylinder clamping system
- Pneumatic side swing mounting arm
- 2 help arms to mount run flat and low profile tyres
- Quick lock system with 3 different mounting heads
- Quick lock system with 2 different bead breaker shovels
- Double speed turntable bidirectional rotation system with hand switch. (Not with option 1PH)



For all problems the right solution:



- MOUNTING ARM
Due to side swing mounting arm machine can be placed against a wall
- MOUNTING SHAFT
Extreme rigid construction. Manufactured from precision cast-steel. 41 mm diameter
- MOUNTING HEAD
Optimised profile for high efficiency. 3 head quick lock system with heads for standard and run flat tyres, and plastic head.
- BEAD BRAKER
Zinc plated high power cylinder 3,2 tons. Quick lock System with 1 shovel each for standard and low profile tyres
- CLAMPING SYSTEM
Self-centring four jaw chuck with two rotation speeds (7 und 14 rpm). Markings for the pre-selection of the clamping jaws. QUADRACLAMP - 4 cylinders for equal jaw forces and less wear and tear

This comes with the machine:

- Lubricator
- Grease holder
- Tyre lever
- 2 Help arms
- 3 - Head quick lock system
- 2 – Shovel quick lock bead breaker system
- Various plastic protectors for mounting head, jaws etc.
- 10 bar operating pressure limiting device
- CE 3,5 bar inflating pressure limiting device

Options intelligent and universal

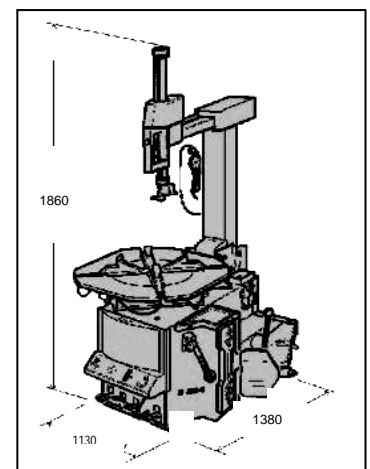
- Filling systems through clamping jaws (Tubeless) (option)



- Platform type wheel lift
- Crane type wheel lift



Technical Data	
Compressed air supply	8 to 12 bar
Three-phase motor	230 - 400 V / 50 Hz / 550 W
Motor single phase (Option)	220 V / 50 Hz 750 W
Self-centring lock external	10 - 24 inches
Self-centring lock internal	12 - 26 inches
Max wheel diameter	1000 mm
Max rim width	16 inches
Bead braker pressure	3200 kg
Dimensions, packed (WxDxH)	1130x1380x1860 mm
Gross weight, packed	405 kg



HOFMANN MEGAPLAN GMBH
 Hauptstraße 67
 A-5302 Henndorf · Austria
 Tel: +43-6214-646612 Fax - 646622
hm-mail@hofmann-megaplan.com
www.hofmann-megaplan.com